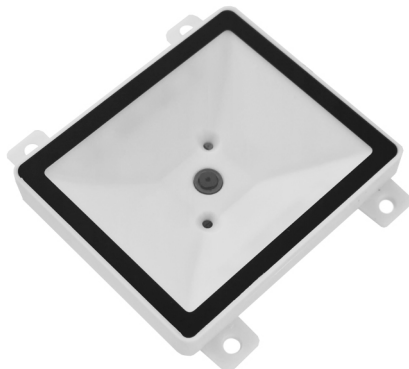
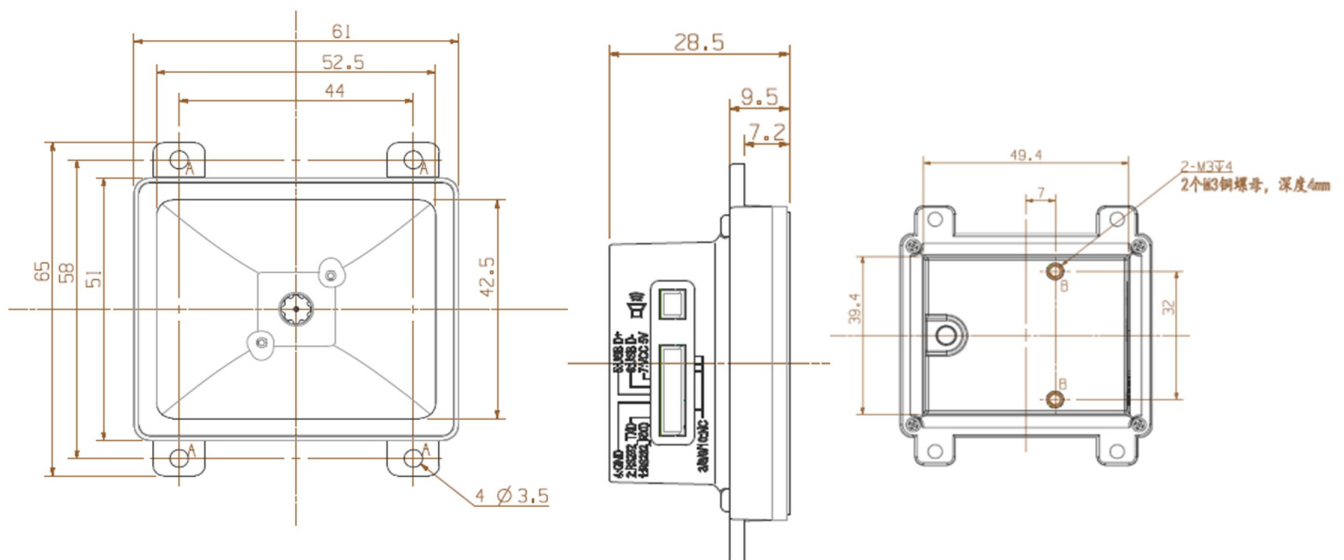
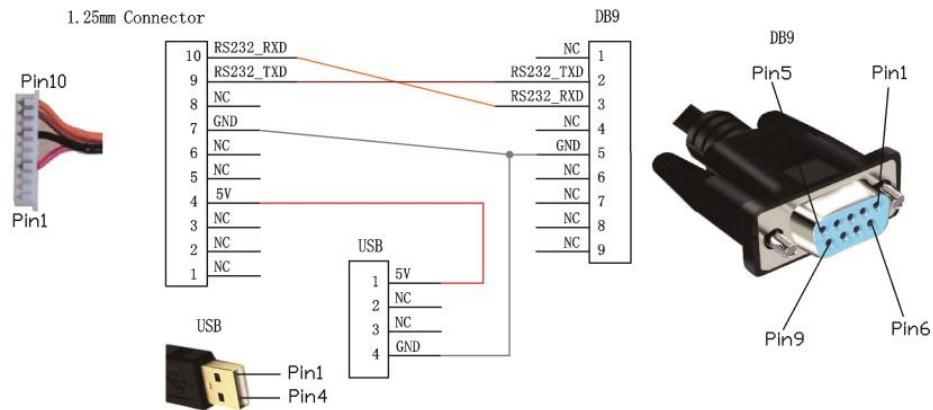


קורא QR וברקוד IDP205



Performance parameters	Image sensor	CMOS		DPI(W*H)	640px*480px	
	Floodlight		White LED			
	Symbologies	1D	EAN-8, EAN-13, UPC-E, UPC-A, ISBN, ISSN, Code128, UCC/EAN-128, AIM-128, Code 39, Code 93, Code 11, Codabar, Interleaved 2 of 5, ITF-6, ITF-14, Matrix 2 of 5, Industrial 25, Standard 25, Plessey, MSI-Plessey, GS1-DataBar (RSS), (RSS-14, RSS- Limited, RSS-Expand)			
		2D	PDF417, Data Matrix, QR, Micro QR			
	Accuracy		≥3mil	Typical		
	Contrast ratio		≥20%	1D: EAN-13	(13mil) 25-110mm	
	Sensitivity	tilt	±60°@ 0°Roll and 0°Skew		2D: QR Code	(15mil) 0-90mm
		rotate	360°@ 0°Pitch and 0° Skew		PDF 417	(6.7mil) 35-45mm
		deflection	±60°@ 0°Roll and 0° Pitch		Data Matrix	(10mil) 30-50mm
	Field of view angle	level: 68° vertical: 51° diagonal: 84.8°				
	Setting method	1.Set the code 2.Command		Prompt mode	Beep、LED indicator	
Data interface	RS 232					
Electrical parameters	Working voltage	5VDC±5%				
	Electric current	work	280mA	stand by	230mA	
Environmental parameters	Temperature	Working	-20°C~+60°C	Storage	-40°C~+70°C	
	Relative humidity		5%~95% (No condensation)			
Physical parameters	Communication interface		RS232			
	Appearance size		65*61*28.5mm	Weight	38.3g	

NO.005: 1.25mm Connector-DB9-USB
Cable wiring diagram



קורא QR בחיבור RS232. הקורא מגיע עם כבל מפוצל - חיבור DB9 לתקשורת וחיבור USB לצורך קבלת מתח.