

IDP-QR200 / 208 Specification

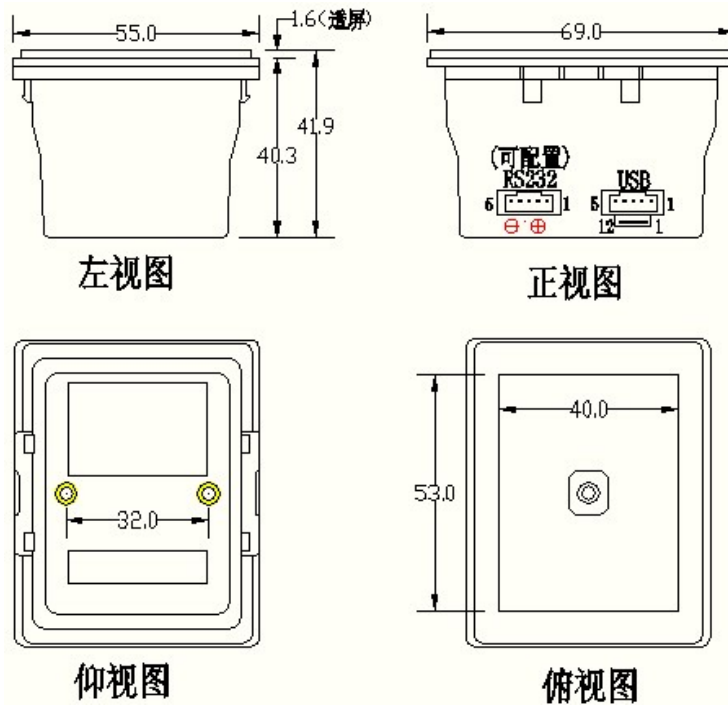
Scan Element Type	CMOS Sensor		
Scan Speed	1/60 second		
Scan Angle	diagonal 84°; horizontal 72°; vertical 54°		
Resolution	2D≥7.5mil, 1D≥5mil		
Scan distance	0-30cm		
	Test	Depth of field	
	Code 128 10mil 18bytes	40~150m	
	Code 128 18bytes	40~160m	
	QR 10mil 160bytes	30~100m	
	DM 15mil 100bytes	30~120m	
	QR 18bytes	30~200m	
Field of view angle	roll 360°pitch ± 55°, deflection ± 55°		
Code support	2D: QR Code, Data Matrix, PDF417, etc 1D: UPC-A, UPC-E, EAN-8, EAN-13, ISBN, Code 128, GS1 128, ISBT 128, Code 39, Code93, Code 11, Interleaved 2 of 5, Industrial 2 of 5, Matrix 25, Standard 25, Codabar, MSI/MSI PLESSEY, GS1 DataBar etc.		
Print comparity	Lowest at 25%		
LED			
Floodlight	White LED		
Physical parameters			
Size(mm) (L×W×H)	ES200: 69×53×42	ES200Z : 66.5×61×41	ES200B: 50×36×9
			ES200BZ: 50×36×10.6
			ES200BZF: 50×36×12.5
Weight	<35g	<25g	<7g
Interface			
Socket	Two 5PIN sockets, 2.0mm Pitch, POS use 12pin 0.5mm Pitch FPC socket, 3-3.6V or 3.6-16V 5PIN: USB RS232/USB KBW 5PIN: 3V TTL/5V TTL/RS232/RS485/wiegand 12PIN: 3V TTL/5V TTL/RS232/RS485/wiegand/USB/3V PS2		
Scan way	Command mode/Sense mode/Trigger mode		
Scan indication	Green LED, Buzzer		
Wire	USB 2m, RS232 2m		
Docking interface	Fill LED、Location LED、Buzzer、Decoder LED、Trigger PIN、PS2 connector		
Environmental parameters			
Working temperature	-20℃ ~ 70℃		
Storage temperature	-40℃ 55~ 80℃		

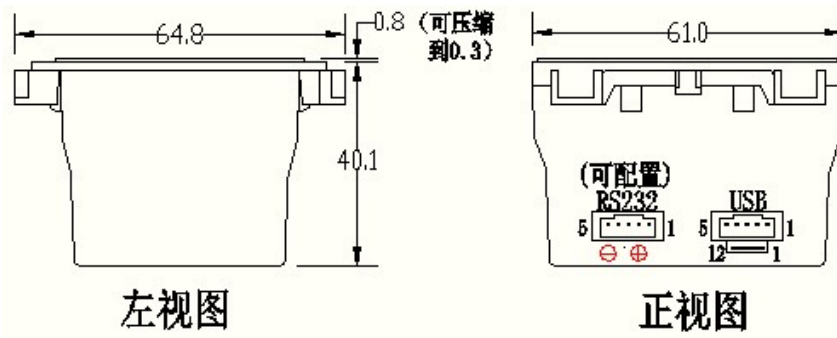
Humidity	5% ~ 95%
Environmental light	Max.100,000 Lux
Electrical parameters	
Input power	5Pin socket 12Pin FPC socket Input: 3-3.6V or 3.6-16V
Working current	< 230mA (3.3V input, < 190mA (5V input) , < 100mA (10V input)
Static current	~ 5mA (3.3V input)

Outlook



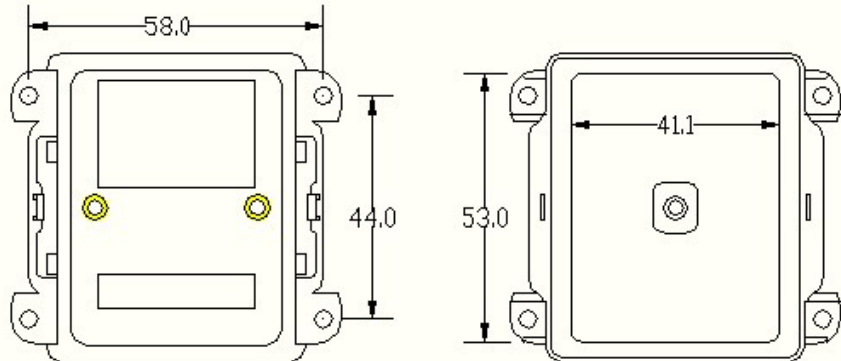
Dimension





左视图

正视图



仰视图

俯视图