



INTRODUCTION

The **MP30** is a OEM read/write module with antenna designed for simple integration. The Serial TTL-interface can be directly connected to microprocessors and easily converted to the RS232 serial interface device. The typical reading range of the module is up to 20~40mm depending on the antenna and TAG.

The **MP30** is a RFID Module for all popular 13.56-MHz RFID/contactless standard protocols. The **MP30** supports and compatibles with all major global secured baseband ISO standards including ISO14443 Type A, Type B, and Smartlabel ISO15693.

The **MP30** is well suited for mobile devices due to its low power consumption and low operating voltage from 5V. The on-chip 3.3V regulators are provided to stabilize the chip's power, and simultaneously supply the power to the external companion microcontroller up to 120 mA.

The **MP30** support the DLL and easy to control this module, The ActiveX Control can be using any terminal program (VB .NET , C#...etc)

Standard Configurations:

- ✓ **MP30R**----RS232 Interface
- ✓ **MP30L**----Serial TTL Interface
- ✓ **MP30U**----USB Virtual COM Interface
- ✓ **MP30H**----USB HID Interface

FEATURES

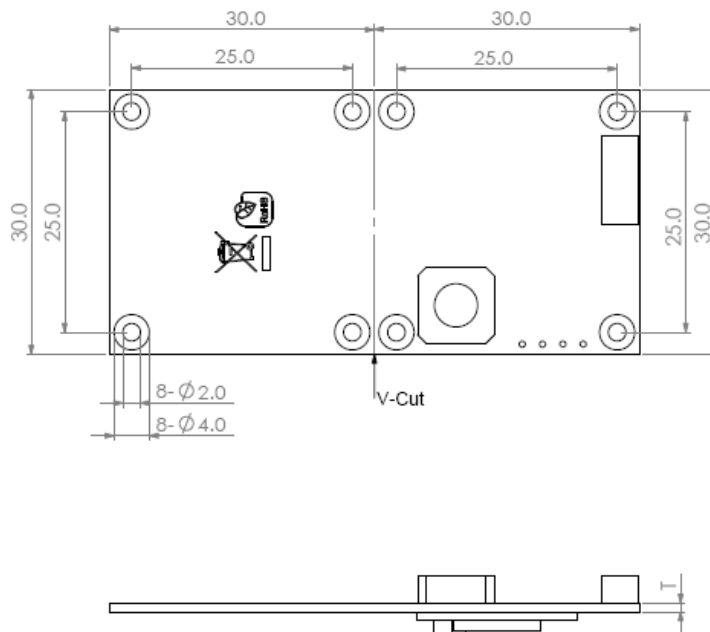
- **Supported Protocols**
ISO14443A/B, all bit rates : 106 kbps
ISO15693, all modes
Downlink 1 of 4 and 1 of 256
Uplink 6.6/13/26/53 kbps with 1 & 2 sub-carrier
- **Card Compatibilities**
ISO14443A
ISO14443B
ISO15693
ISO14443-3
ISO14443-4
NFC1-4 TAGs
- **Ultra small outline 60x30x7.8 mm**
- **Information Support**
Visual C# demonstration Software
Protocol Information
- **Low power, low profile for portable designed**
- **Plug-in fitting for 13.56Mhz**
- **Serial TTL Interface.**
- **Baud Rate 19200,N,8,1**
- **Power supply Active 120mA @5VDC**
- **Firmware Update**

- ✓ We welcome OEM inquiries
- ✓ Custom device programming is available

SPECIFICATIONS:

POWER REQUIREMENT	5V regulated for Operate Voltage . A linear regulator is recommended.
CURRENT REQUIREMENTS	Active 120mA @5VDC
INTERFACE	Serial TTL / RS232 / USB HID / USB Virtual COM Interface
SUPPORTED PROTOCOLS	ISO14443A/B, all bit rates : 106 kbps ISO15693, all modes Downlink 1 of 4 and 1 of 256 Uplink 6.6/13/26/53 kbps with 1 & 2 sub-carrier
CARD TYPE	ISO14443A ISO14443B ISO15693 ISO14443-3 ISO14443-4 NFC1-4 TAGs
FERQUENCY	13.56MHz standard.
READ RANGE	Mifare : 1~3 cm ISO 15693 : 2~4 cm
TRANSPONDER	Read / Write
BAUD RATE	19200,N,8,1
DIMENSIONS	SMT: 60(L) x 30(W) x 7.8(H) mm
WEIGHT	7.2g
ENVIRONMENT	Operating Temp : -0°C ~ +50°C Humidity : 10 ~ 90 % relative

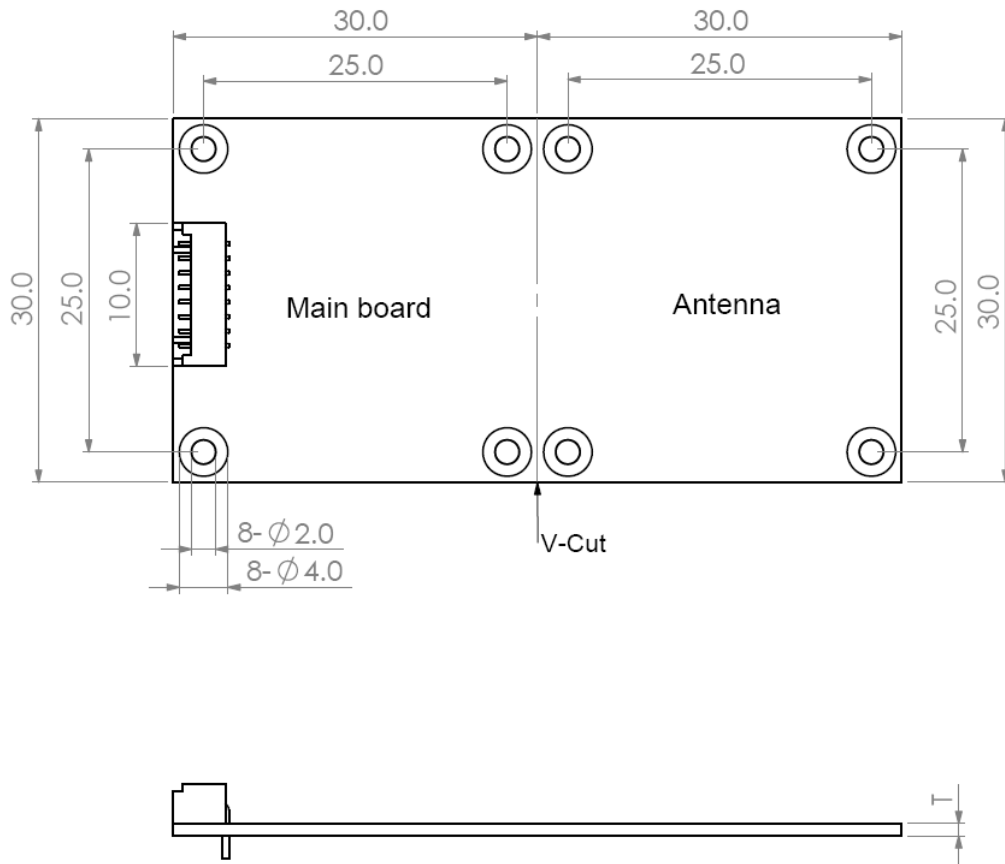
PACKAGE DESCRIPTION



- ✓ We welcome OEM inquiries
- ✓ Custom device programming is available


集佳股份有限公司
GIGA-TMS INC.
 新北市汐止區康寧街 169 巷 31 號 8 樓

TEL: +886-2-26954214
 FAX: +886-2-26954213
 e-mail: sales@gigatms.com.tw
 http://www.gigatms.com.tw

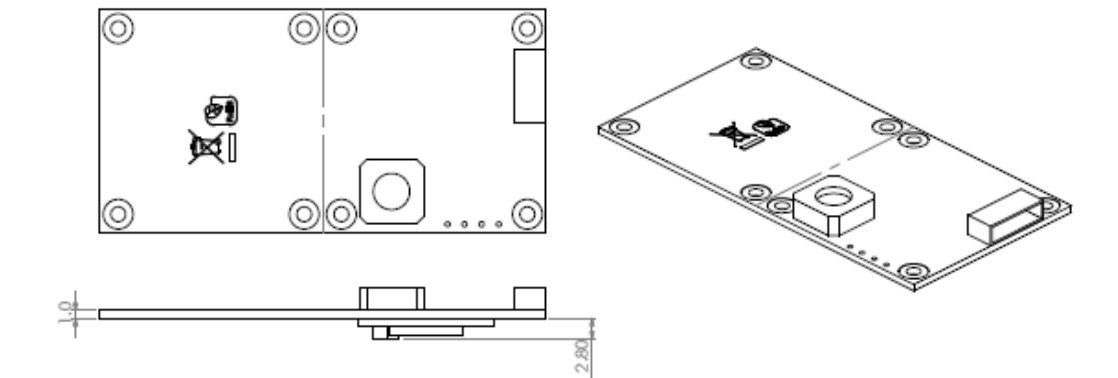


	MP30R- 00	MP30L- 00	MP30U- 00	MP30H- 00
Description	RS232	Serial TTL	USB (Virtual serial port)	USB (USB HID)
Pin Numbers	8	8	8	8
Connector	JST SH 1.0mm	JST SH 1.0mm	JST SH 1.0mm	JST SH 1.0mm
PIN#				
1	+5 VDD	+5 VDD	+5 VDD	+5 VDD
2	TXD	TXD	D-	D-
3	RXD	RXD	D+	D+
4	GND	GND	GND	GND
5	SHIELD	SHIELD	SHIELD	SHIELD
6	--	--	--	--
7	--	--	--	--
8	--	--	--	--

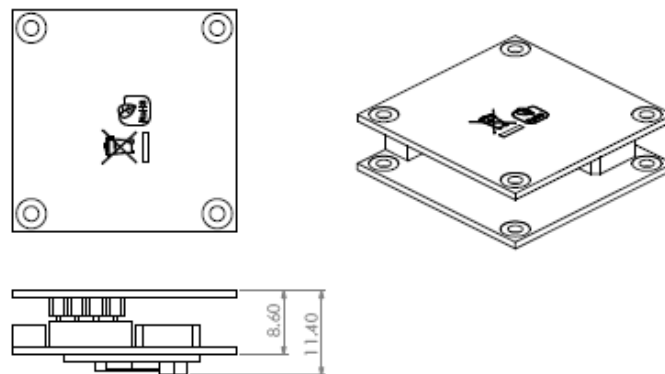
- ✓ We welcome OEM inquiries
- ✓ Custom device programming is available

Appendix A

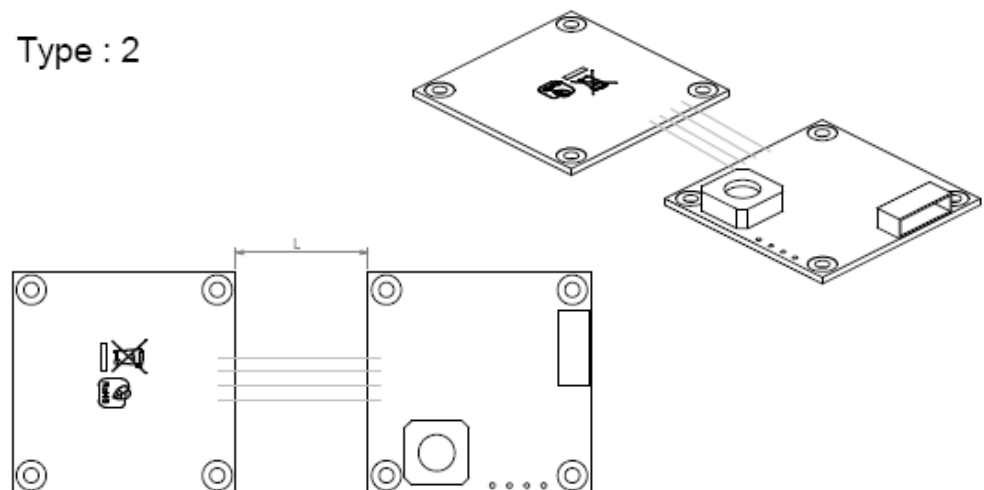
Type : 0



Type : 1



Type : 2



- ✓ We welcome OEM inquiries
- ✓ Custom device programming is available

 集佳股份有限公司
GIGA-TMS INC.
新北市汐止區康寧街 169 巷 31 號 8 樓

TEL: +886-2-26954214
FAX: +886-2-26954213
e-mail: sales@gigatms.com.tw
http://www.gigatms.com.tw