

AG19

Hardware User Guide



Any part of the contents of this document, without the express written GIGA-TMS permission, shall not in any documents, electronic, mechanical form of remakes or spread. File contents are subject to change without notice.

Revisions

Revision	Date	Description
01	Jul 13, 2020	Preliminary draft



EMC EN55032 / EN55024



EMI Part 15 B



EMI VCCI-CISPR 32

Warning

Federal Communication Commission (FCC) Interference Statement

This equipment has been tested and found to comply with the limits for a Class B digital device, pursuant to Part 15 of the FCC Rules. These limits are designed to provide reasonable protection against harmful interference in a residential installation.

This equipment generates, uses and can radiate radio frequency energy and, if not installed and used in accordance with the instructions, may cause harmful interference to radio communications. However, there is no guarantee that interference will not occur in a particular installation. If this equipment does cause harmful interference to radio or television reception, which can be determined by turning the equipment off and on, the user is encouraged to try to correct the interference by one of the following measures:

- . Reorient or relocate the receiving antenna.
- . Increase the separation between the equipment and receiver.
- . Connect the equipment into an outlet on a circuit different from that to which the receiver is connected.
- . Consult the dealer or an experienced radio/TV technician for help.

LIMITED WARRANTY

Giga-Tms warrants that the products sold pursuant to this Agreement will perform in accordance with Giga-Tms's published specifications. This warranty shall be provided only for a period of **one year** from the date of the shipment of the product from Giga-Tms (the "Warranty Period"). This warranty shall apply only to the "Buyer" (the original purchaser, unless that entity resells the product as authorized by Giga-Tms, in which event this warranty shall apply only to the first re-purchaser).

During the Warranty Period, should this product fail to conform to Giga-Tms's specifications, Giga-Tms will, at its option, repair or replace this product at no additional charge except as set forth below. Repair parts and replacement products will be furnished on an exchange basis and will be either reconditioned or new. All replaced parts and products become the property of Giga-Tms. This limited warranty does not include service to repair damage to the product resulting from accident, disaster, unreasonable use, misuse, abuse, negligence, or modification of the product not authorized by Giga-Tms. Giga-Tms reserves the right to examine the alleged defective goods to determine whether the warranty is applicable.

Without limiting the generality of the foregoing, Giga-Tms specifically disclaims any liability or warranty for goods resold in other than Giga-Tms's original packages, and for goods modified, altered, or treated without authorization by Giga-Tms.

Service may be obtained by delivering the product during the warranty period to Giga-Tms (8F No. 31 Lane 169, Kang Ning Street, Hsi Chih Dist New Taipei City, Taiwan). If this product is delivered by mail or by an equivalent shipping carrier, the customer agrees to insure the product or assume the risk of loss or damage in transit, to prepay shipping charges to the warranty service location, and to use the original shipping container or equivalent. Giga-Tms will return the product, prepaid, via a three (3) day shipping service. A Return Material Authorization ("RMA") number must accompany all returns. Buyers may obtain an RMA number by contacting with sales@gigatms.com.tw

EACH BUYER UNDERSTANDS THAT THIS GIGA-TMS PRODUCT IS OFFERED AS IS. GIGA-TMS MAKES NO OTHER WARRANTY, EXPRESS OR IMPLIED, AND GIGA-TMS DISCLAIMS ANY WARRANTY OF ANY OTHER KIND, INCLUDING ANY WARRANTY OF MERCHANTABILITY OR FITNESS FOR A PARTICULAR PURPOSE.

IF THIS PRODUCT DOES NOT CONFORM TO GIGA-TMS'S SPECIFICATIONS,

THE SOLE REMEDY SHALL BE REPAIR OR REPLACEMENT AS PROVIDED ABOVE. GIGA-TMS'S LIABILITY, IF ANY, SHALL IN NO EVENT EXCEED THE TOTAL AMOUNT PAID TO GIGA-TMS UNDER THIS AGREEMENT. IN NO EVENT WILL GIGA-TMS BE LIABLE TO THE BUYER FOR ANY DAMAGES, INCLUDING ANY LOST PROFITS, LOST SAVINGS, OR OTHER INCIDENTAL OR CONSEQUENTIAL DAMAGES ARISING OUT OF THE USE OF, OR INABILITY TO USE, SUCH PRODUCT, EVEN IF GIGA-TMS HAS BEEN ADVISED OF THE POSSIBILITY OF SUCH DAMAGES, OR FOR ANY CLAIM BY ANY OTHER PARTY.

LIMITATION ON LIABILITY

EXCEPT AS PROVIDED IN THE SECTIONS RELATING TO GIGA-TMS'S LIMITED WARRANTY, GIGA-TMS'S LIABILITY UNDER THIS AGREEMENT IS LIMITED TO THE CONTRACT PRICE OF THIS PRODUCT.

GIGA-TMS MAKES NO OTHER WARRANTIES WITH RESPECT TO THE PRODUCT, EXPRESSED OR IMPLIED, EXCEPT AS MAY BE STATED IN THIS AGREEMENT, AND GIGA-TMS DISCLAIMS ANY IMPLIED WARRANTY, INCLUDING WITHOUT LIMITATION ANY IMPLIED WARRANTY OF MERCHANTABILITY OR FITNESS FOR A PARTICULAR PURPOSE.

GIGA-TMS SHALL NOT BE LIABLE FOR CONTINGENT, INCIDENTAL, OR CONSEQUENTIAL DAMAGES TO PERSONS OR PROPERTY. GIGA-TMS FURTHER LIMITS ITS LIABILITY OF ANY KIND WITH RESPECT TO THE PRODUCT, INCLUDING ANY NEGLIGENCE ON ITS PART, TO THE CONTRACT PRICE FOR THE GOODS.

GIGA-TMS'S SOLE LIABILITY AND BUYER'S EXCLUSIVE REMEDIES ARE STATED IN THIS SECTION AND IN THE SECTION RELATING TO GIGA-TMS'S LIMITED WARRANTY.

Contents

Chapter 1 : Introduction.....	7
Introduce.....	7
Fitting.....	7
Chapter 2 : About AG19.....	8
Specification.....	8
Chapter 3 : How to use AG19.....	9
Start to use AG19.....	9
LED Indication.....	9
DIP SW Setting.....	10
Pin Description.....	11
Connection.....	12
Chapter 4 : Troubleshooting.....	15
Contact Us.....	16

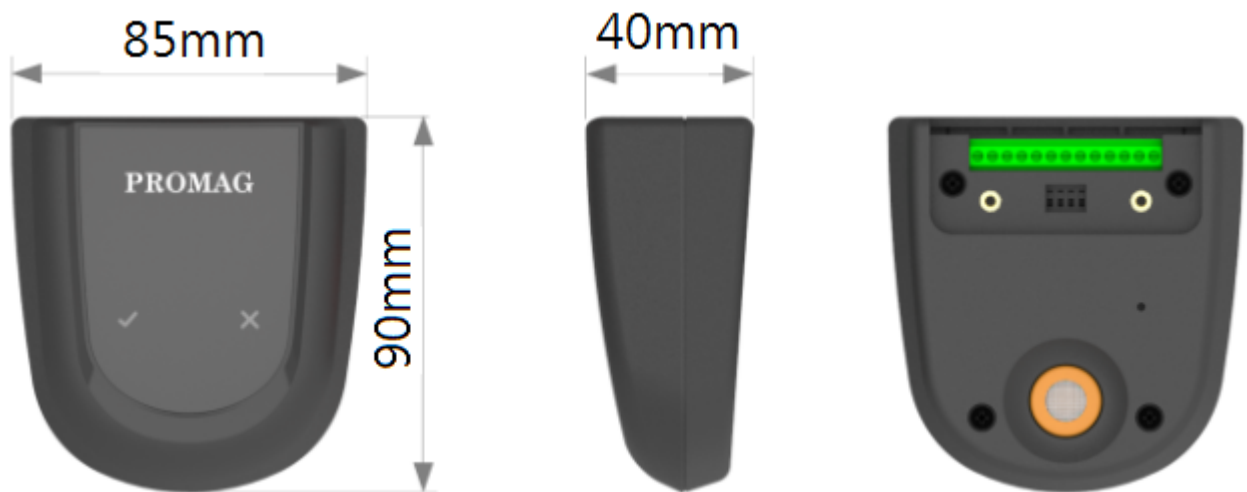
Chapter 1 : Introduction

Introduce

The AG19 series products integrate a high sensitivity alcohol sensor. The algorithm developed exclusively provides quick and reliable identification of whether the hands have been disinfected with alcohol. It can be installed at the entrance of the area that you want to control. Further clean the hands of entering personnel detection and control. To ensure a safe and clean place in the control area.

Before using the AG19 . We recommend that you should already read this user guide.

Fitting



Please download software or user guide from following link.
<http://ftp.gigatms.com.tw/disks/disk5495>



Scan QR code with your phone

Software or user guide download table

Chapter 2 : About AG19

Specification

		AG19 series		
PART NO	AG19-00 (Relay only)	AG19-10 (Reader only)	AG19-20 (Relay + Reader)	
Standard				
Interface	Wire – RS232 / RS485 / Wiegand			
Power Require	AC / DC 9 – 12V ; 1A			
Dimension	L: 90mm / W: 85mm / H: 40mm			
Physical Characteristics				
Weight	110 g			
Environment parameter				
Temperature	Operating : -10°C ~ +60°C			
	Storage : -15°C ~ +65°C			
Humidity	Operating : +0% ~ +90% (no coagulation)			
	Storage : MAX 90% (no coagulation)			
Regulatory approvals				
Authentication	CE	FCC	VCCI	
	EN55032	Part 15 B	VCCI-CISPR 32	
	EN55024			
	ESD Contact : 4kv , Air : 8kv			

Chapter 3 : How to use AG19

Before Install AG19. Please make sure the following items are ready.

An AG19

A power supply (AC / DC 9 – 12V ; 1A)

External Device (Door lock, Light, Buzzer, Reader...)

Start to use AG19

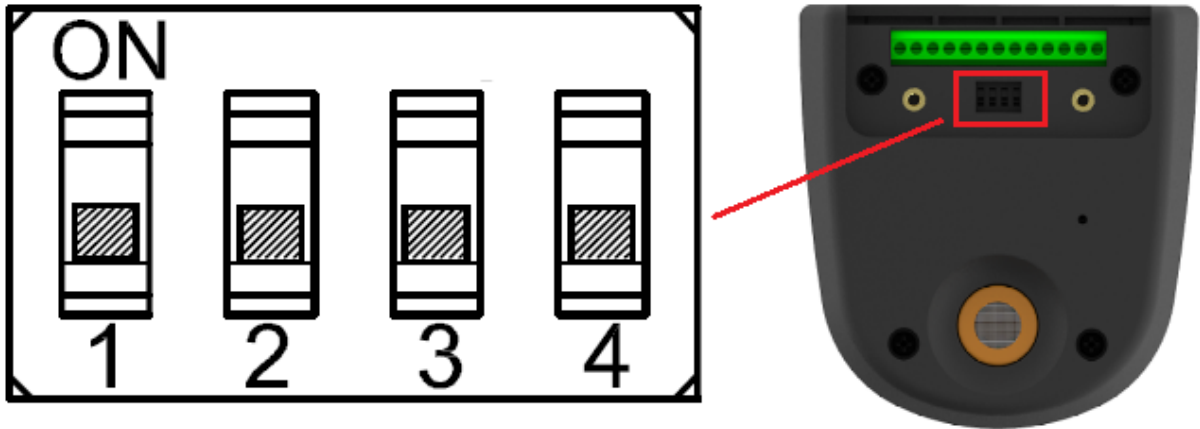
- A power supply (AC / DC 9 – 12V ; 1A) connection to The AG19.
- Red light flashes 30 second when power on.
- Red light keeps on when the AG19 is boot up complete.
- Sensor detect the alcohol. The green light on and buzzer sounds once.

LED Indication

Indicator type	Status	Description
Red LED (Cross)	OFF	Power off
	ON	Ready to detect alcohol
	FLASHES	Not ready to detect alcohol
Green LED (Tick)	OFF	No alcohol detected
	ON	Alcohol detected and approved period



DIP SW Setting

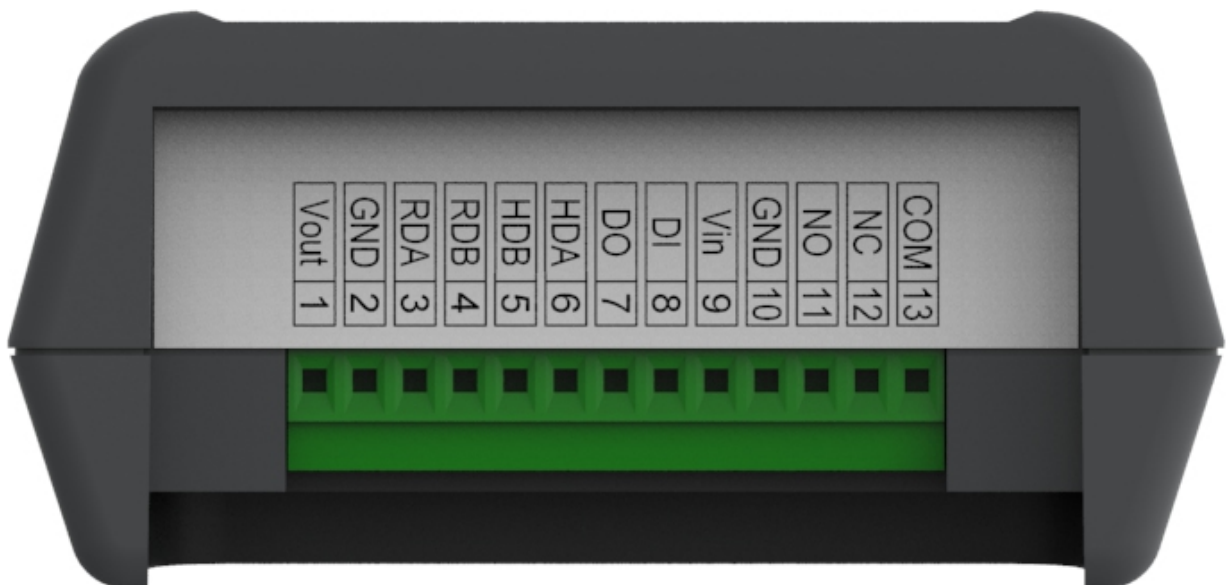


DIP1	DIP2	Approval Period
OFF	OFF	3 Seconds (Default)
ON	OFF	5 Seconds
OFF	ON	10 Seconds
ON	ON	15 Sconds

DIP3	DIP4	Sensitivity of Alcohol Detection
OFF	OFF	Very High (Default)
ON	OFF	High
OFF	ON	Middle
ON	ON	Low

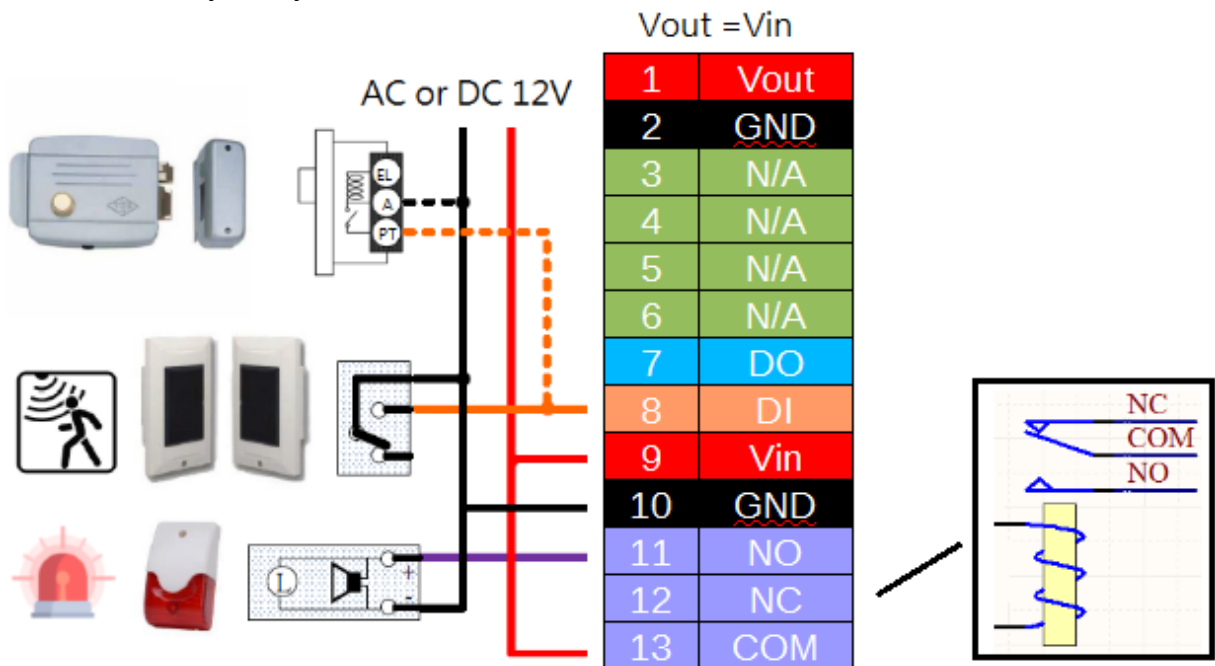
Pin Description

Pin	Name	Description
1	Vout	Power Output to Reader (Reguralation 5V or Vin DC)
2	GND	GND
3	RDA	Connect to Reader Wiegand D0 / RS232 TX / RS485+
4	RDB	Connect to Reader Wiegand D1 / RS232 RX / RS485-
5	HDB	Connect to Host Wiegand D1 / RS232 RX / RS485-
6	HDA	Connect to Host Wiegand D0 / RS232 TX / RS485+
7	DO	Digital Output
8	DI	Digital Input
9	Vin	Power Input (AC / DC 9V-24V)
10	GND	GND (AC 9-24V)
11	NO	Relay NO
12	NC	Relay NC
13	COM	Relay COM

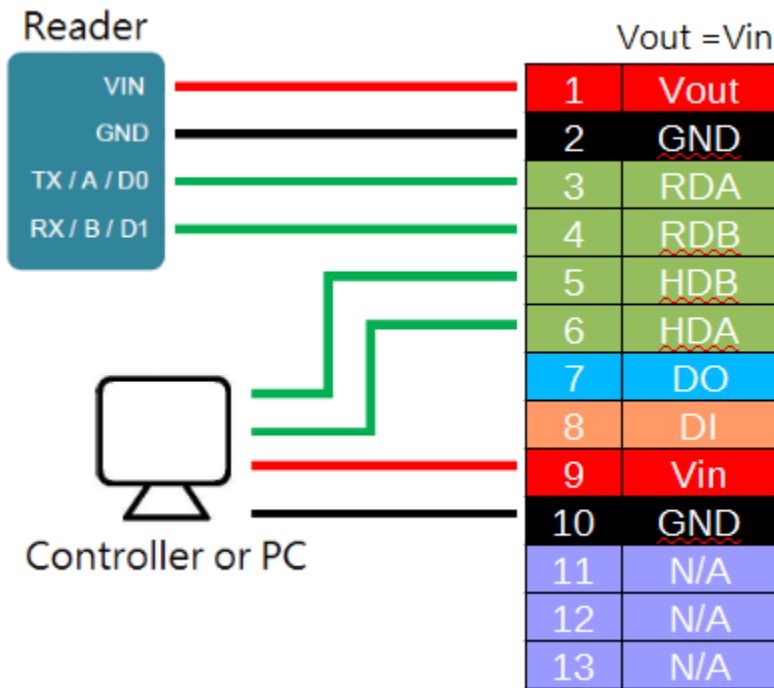


Connection

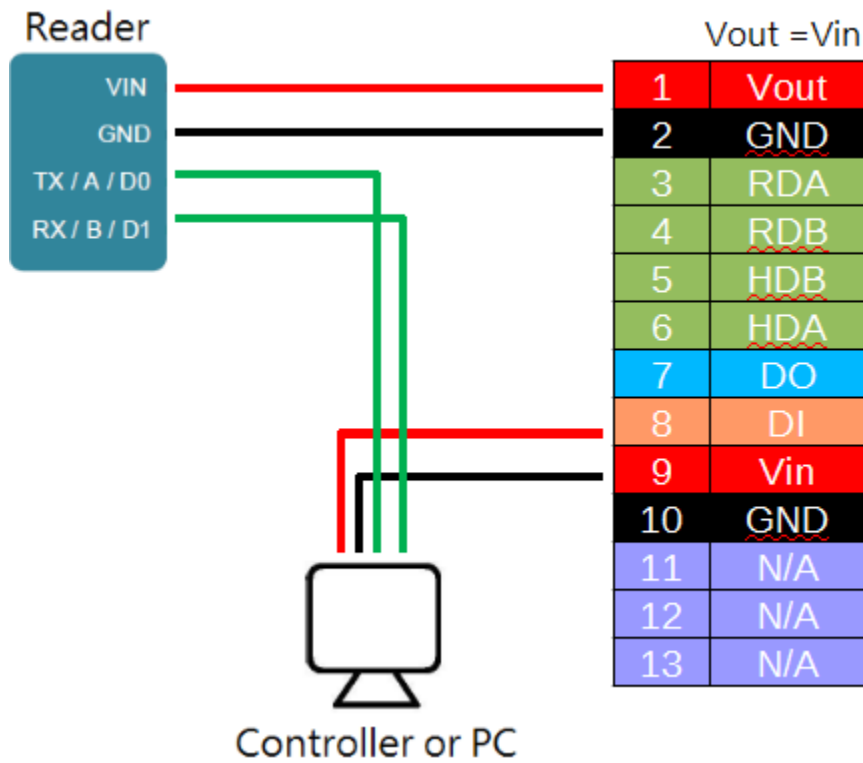
AG19-00 Relay onley



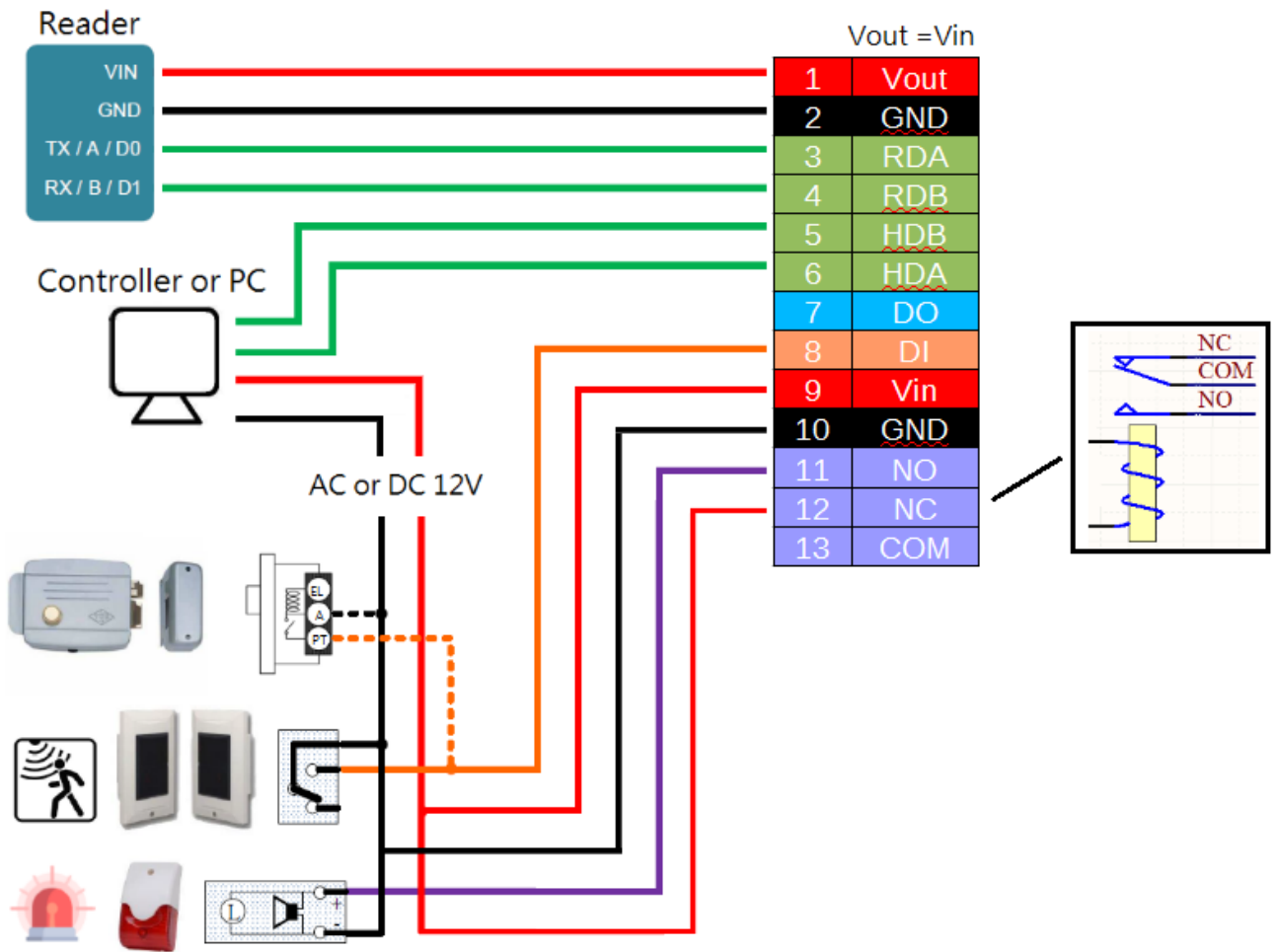
AG19-10 Reader only



Power Control



AG19-20 Relay + Reader



Chapter 4 : Troubleshooting

1. **AG19 doesn't work?**

- Please check that the AG19 is actually connected to the power supply (AC / DC 9 – 12V ; 1A) . The red power light of AG19 is lighting

Contact Us

Address:

8F, NO.31, Lane 169, Kang-Ning Street, His-Chih Dist, New Taipei City, Taiwan

Tel:

886-2-26954214

Fax:

886-2-26954213

Websites:

www.gigatms.com.tw

Email:

Sales inquiry email - promag@gigatms.com.tw

After sales service - support@gigatms.com.tw